

LED Slim Panel UGR<19

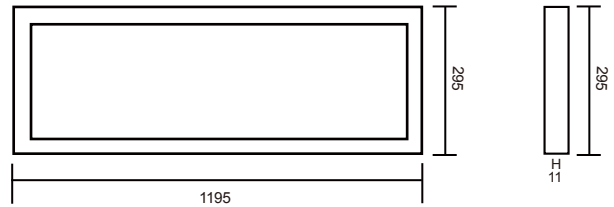
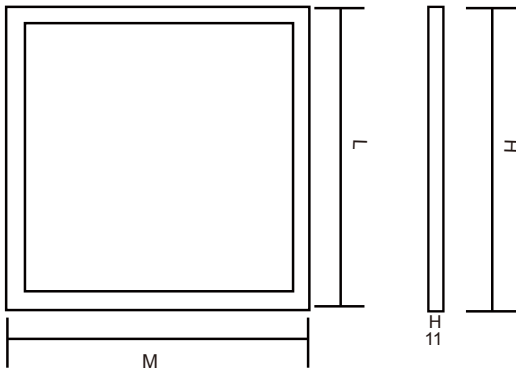


- **PMMA 3mm Lgp**
- **TPB/TPA**
- **NO Stroboscopic**
- **5Years warranty**
- **UGR<19**

Product Code	Dimension L*W*H [mm]	Power [W]	Input Voltage [V]	Efficiency [lm/W]	Color Temp[K]	CRI	Beam Angle	UGR	LED Chip
ALP6060-S16-30WK2U	595*595*11mm	30W	AC100-240V	100-125lm/W	3000K-6000K	≥80	120°	UGR<19	SMD2835
ALP6060-S16-36WK2U	595*595*11mm	36W	AC100-240V	100-125lm/W	3000K-6000K	≥80	120°	UGR<19	SMD2835
ALP6060-S16-48WK2U	595*595*11mm	48W	AC100-240V	100-125lm/W	3000K-6000K	≥80	120°	UGR<19	SMD2835
ALP6262-S16-30WK2U	620*620*11mm	30W	AC100-240V	100-125lm/W	3000K-6000K	≥80	120°	UGR<19	SMD2835
ALP6262-S16-36WK2U	620*620*11mm	36W	AC100-240V	100-125lm/W	3000K-6000K	≥80	120°	UGR<19	SMD2835
ALP6262-S16-48WK2U	620*620*11mm	48W	AC100-240V	100-125lm/W	3000K-6000K	≥80	120°	UGR<19	SMD2835
ALP12030-S16-36WK1U	1195*295*11mm	36W	AC100-240V	100-120lm/W	3000K-6000K	≥80	120°	UGR<19	SMD2835
ALP12030-S16-36WK2U	1195*295*11mm	72W	AC100-240V	100-120lm/W	3000K-6000K	≥80	120°	UGR<19	SMD2835
ALP12060-S16-72WK2U	1195*595*11mm	72W	AC100-240V	100-120lm/W	3000K-6000K	≥80	120°	UGR<19	SMD2835

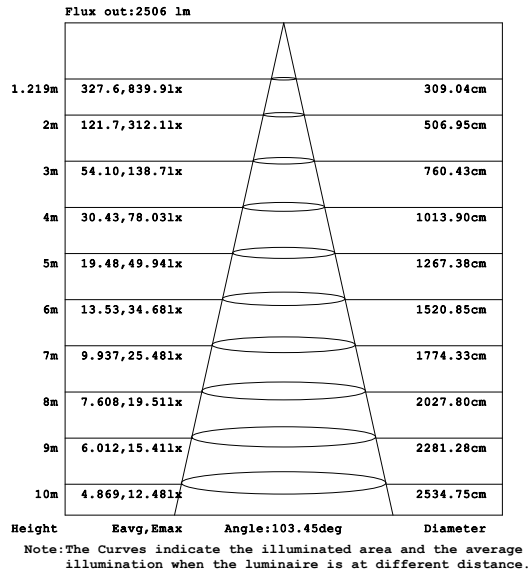
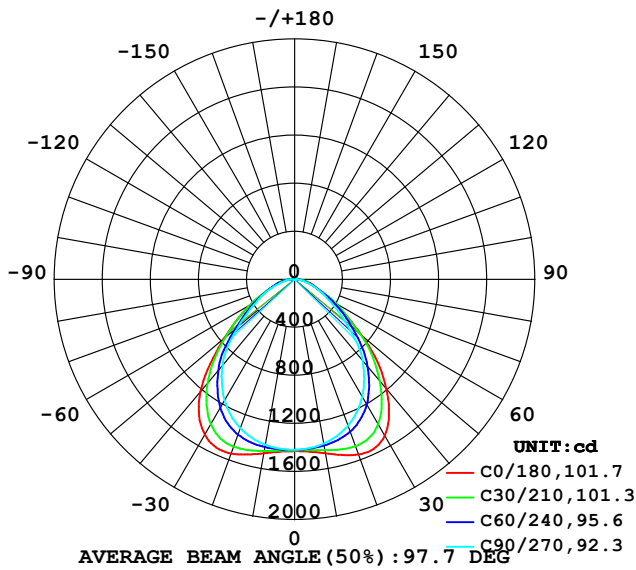


Dimension(mm):



Luminaire Photometric Test Report:

LUMINOUS INTENSITY DISTRIBUTION DIAGRAM



Photos Of The Product:



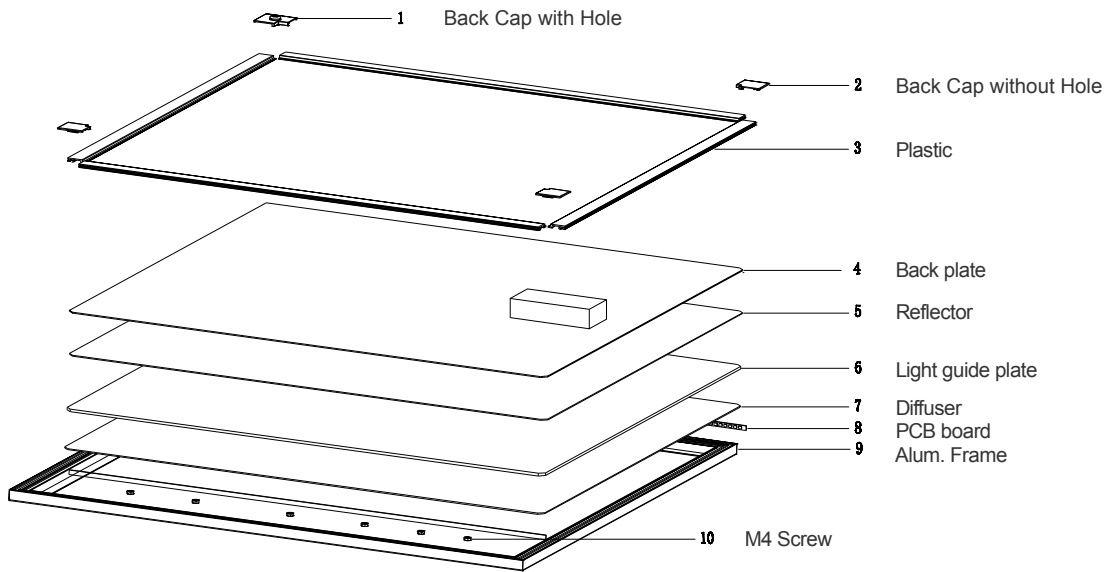
Front view



Driver and controller



Installation accessory

Explosion map:

Packing Details:
